

PHILCOPHONE MODEL 910

INTERCOMMUNICATING SYSTEM

Model 910 Philcophone is an improved, efficient system for voice communication between two locations. The system consists of "master" phone and "remote" phone.

INSTALLATION

The master and remote phone should be conveniently located in the places selected for their use so that persons who will use them can easily operate the controls. The usual location in offices is on one side of the desk somewhat to the rear. The master phone should be placed near a 115 volt A. C. or D. C. power outlet.

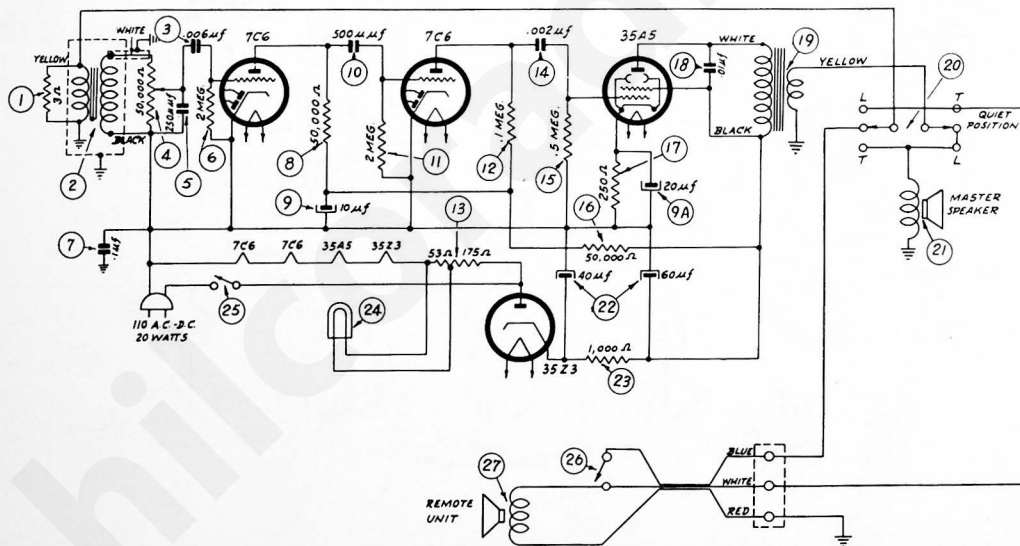
Connecting One Remote Phone

To connect the remote phone, attach the three wires of the cable to the bottom row of terminals at the rear of the master unit. The colored wires (red, white and blue) are connected to correspond with the colors engraved on the panel.

If the 50 ft. cable supplied with the remote unit is

not of sufficient length, additional cables, Part No. L3278 (50 ft. lengths), and Part No. L3283 (100 ft. lengths) are available. When installing the wires they should be kept as far away from telephone and power lines as possible.

Insert the power plug of the master phone into a 115 volt A. C. or D. C. outlet. If a power plug outlet is not closely situated near the master phone an extension cable can be connected to the power cord. If the current is D. C. and the system will not function properly reverse the plug in the electrical outlet. This is done by removing the plug, turning it half way around and reinserting it. If an objectionable hum is heard when using the system on A. C. current try the same procedure of reversing the plug in the power socket.



Replacement Parts — Model 910

SCHEM. No.	DESCRIPTION	PART No.	SCHEM. No.	DESCRIPTION	PART No.	SCHEM. No.	DESCRIPTION	PART No.	
1	Resistor (3 ohms).....	33-930356	15	Resistor (500,000 ohms).....	33-450339	27	Remote Speaker, Model 909.....	45-1446	
2	Input Transformer.....	32-3626	16	Resistor (50,000 ohms).....	33-350339		Grille.....	56-1966	
3	Condenser (.006 mfd., 400 volts).....	30-4125	17	Resistor (250 ohms).....	33-125438	MISCELLANEOUS PARTS			
4	Volume Control (On-Off Switch).....	33-5431	18	Condenser (.01 mfd., 400 volts).....	30-4572			Cabinet.....	10455A
5	Mica Condenser (250 mmfd.).....	60-125157	19	Output Transformer.....	32-3602			Grille Cloth Assembly.....	40-6520
6	Resistor (2 megohms).....	33-520339	20	Talk-Listen Switch.....	42-1697			Cardboard Back.....	27-9931
7	Condenser (.1 mfd., 400 volts).....	30-4527	21	Master Speaker.....	36-1536			Dial Window.....	27-5684
8	Resistor (50,000 ohms).....	33-350439	22	Electrolytic Condenser (40-60 mfd., 150 volts).....	30-2534			Extension Cable.....	L-3278
9	Electrolytic Cond. (10 mfd.).....	30-2453	23	Resistor (1000 ohms).....	33-210539			Knob (Talk-Listen Switch).....	27-4326
9A	Electrolytic Cond. (20 mfd.) Part of 9		24	Pilot Lamp.....	34-2068			Knob (Volume Control).....	54-4005
10	Mica Condenser (500 mmfd.).....	60-150157	25	Socket Assembly.....	76-1177			Screw (Cardboard Back).....	W-2168
11	Resistor (2 megohms).....	33-520339	26	On-Off Switch (Part of 4).....	42-1639			Screw (Chassis Mounting).....	W-2176
12	Resistor (1 megohm).....	33-3367				Sockets (Tubes).....	27-6157-2		
13	Bias Resistor (53-175 ohms).....	33-3367				Terminal Panel.....	76-1334		
14	Condenser (.002 mfd., 400 volts).....	30-4579							